

Installation instructions for the legs

Introduction

This manual explains how to assemble the legs with the main unit. Be sure to read this manual before assembling. You can also use your smartphone to scan the QR code below and view the 3D Instruction while assembling the product.

BEFORE YOU BEGIN

Scan for easy 3D instructions

Download the BILT app before you begin

Download on the App Store

GET IT ON Google Play

- Be sure to assemble with two or more people.



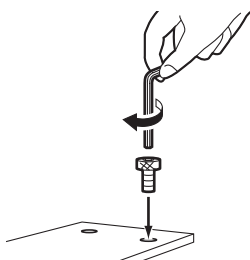
Accessories

If there is a shortage of parts or a problem, please contact your local distributor or MIMAKI sales office.

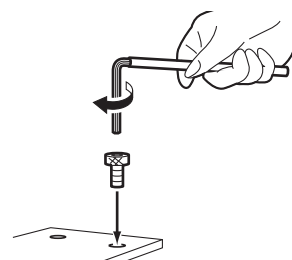
<p>Leg x2</p>	<p>Caster holder x2</p>	<p>Leg stay x1</p>	<p>Base plate S x 2</p>	<p>Roll holder x2</p>
<p>Roll bar x2</p>	<p>Roll stay Right x1</p>	<p>Roll stay Left x1</p>	<p>Hexagonal wrench (4mm)x 1</p>	<p>Tightening pipe x 1</p>
<p>Screws (M5x25) x4</p>	<p>Screws (M5x15) x 14</p>	<p>Screws (M5x20) x4</p>		

How to tighten the screws

- 1 Use hex wrench to temporarily tighten the screws (just tighten lightly).



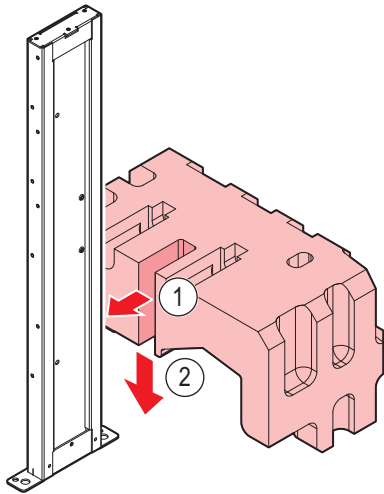
- 2 Push the hex wrench into the tightening pipe and retighten the screw.



Instruction

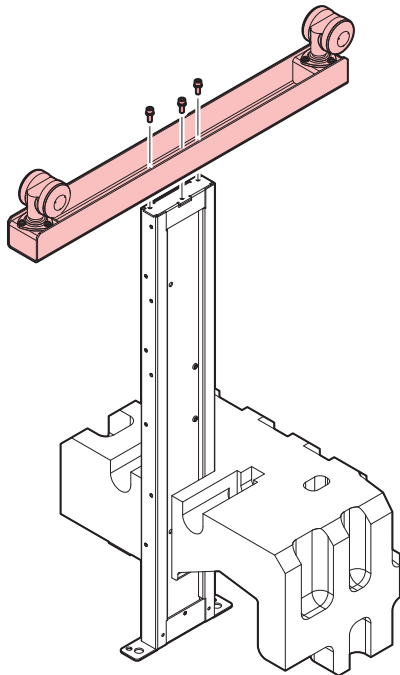
1 Turn the Leg upside down to make it stand on its own by using the cushioning material (upper side) in which the main body was packed.

- Assemble the right and left legs.



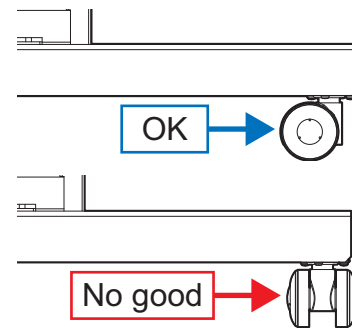
2 Fix the Caster holder to the Leg.

- Secure it with the 3 screws (M5x15).
- Assemble the right and left legs.



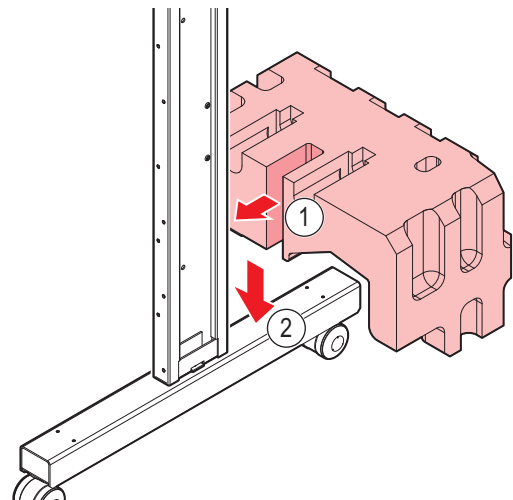
3 Remove the cushioning material and turn the legs back in their original direction.

4 Turn the casters inward.



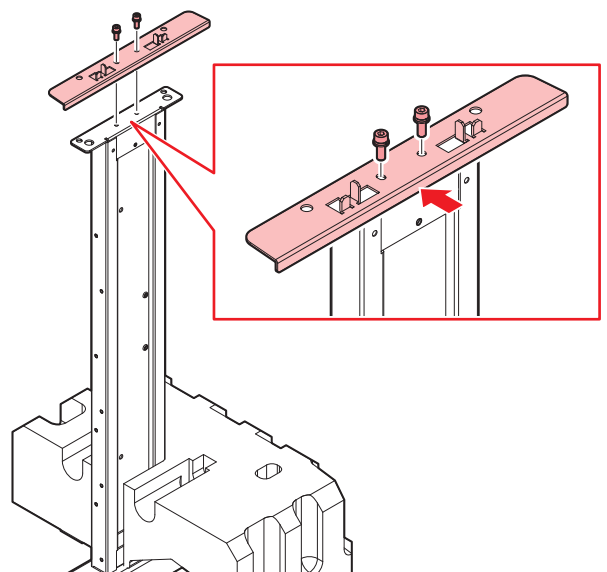
5 Use the cushioning materials (upper side) again to make the legs (Right and Left) stand on their own.

1. Push the cushioning material until it touches the legs.
2. Push the cushioning material until it touches the floor.



6 Attach the Base plate S to the Leg.

- Fix the base plate to the leg with 2 screws (M5x15) while pushing it in the direction indicated by arrow.
- Assemble the right and left legs.

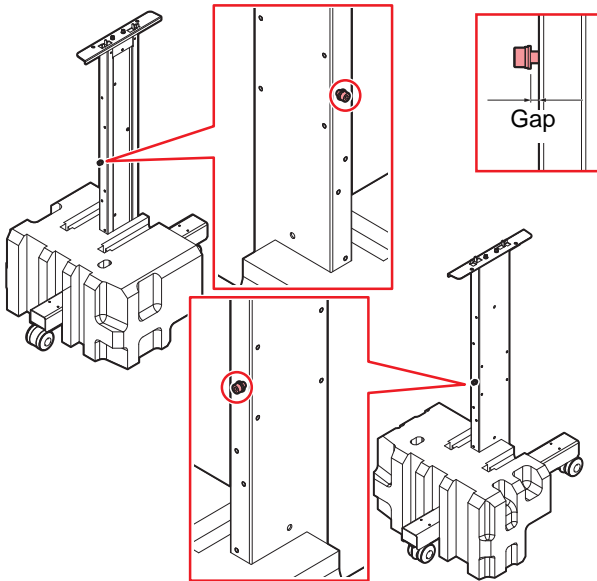


- Pay attention to the mounting direction.



7 Attach the screws (M5x15) with make a gap between.

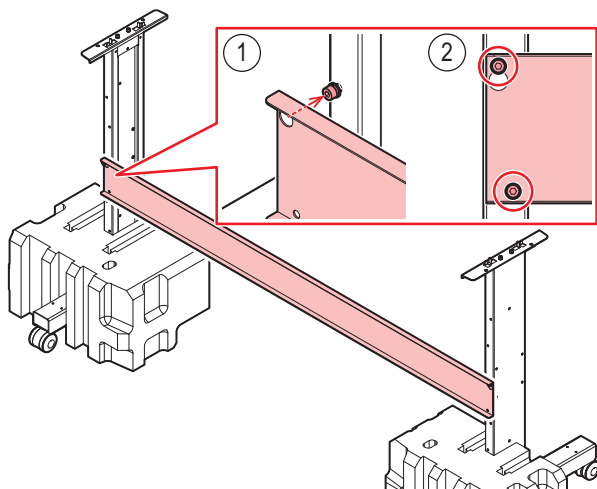
- Assemble the right and left legs.



- Pay attention to the installation position.

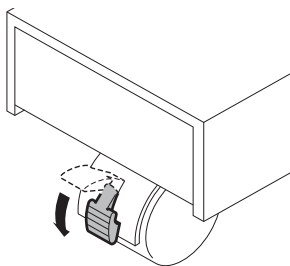
8 Attach the Leg stay to the left and right legs.

- Hook the leg stay onto the screws installed in step 7.
- Tighten the screw temporarily (just tighten lightly).



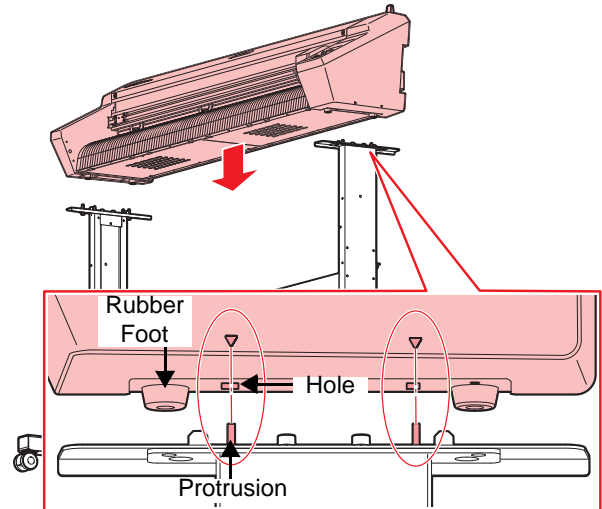
- Attach the leg stay so that the openings of the left and right legs are on the inside.

9 Lock the casters.



10 Mount the Main unit on the legs.

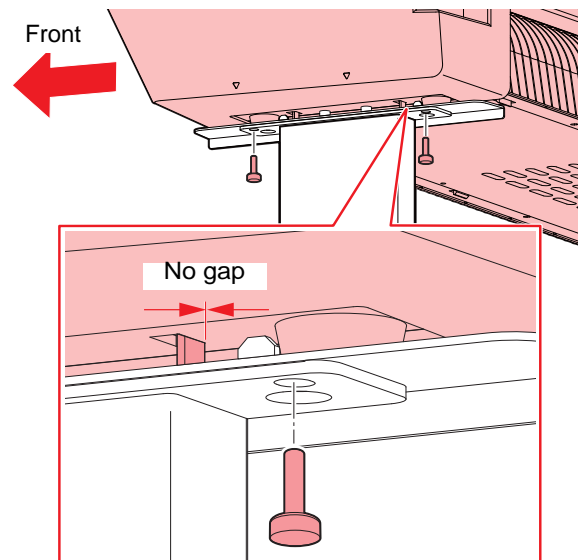
- Align the protruding part of the leg with the hole on the bottom of the main unit (the ∇ mark on the side of the main unit is a guide) and insert.
- Make sure that the rubber foot on the bottom of the unit is set on the leg.
- Set the other side in the same way.



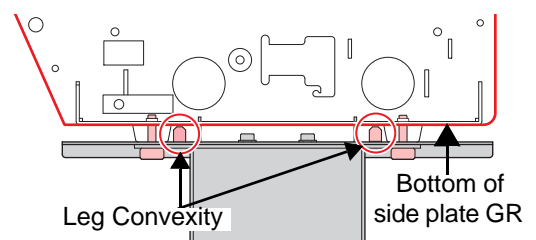
- The unit should be lifted by two or more people.

11 Push the main unit to the front side and fix it to the leg with 2 screws (M5x20).

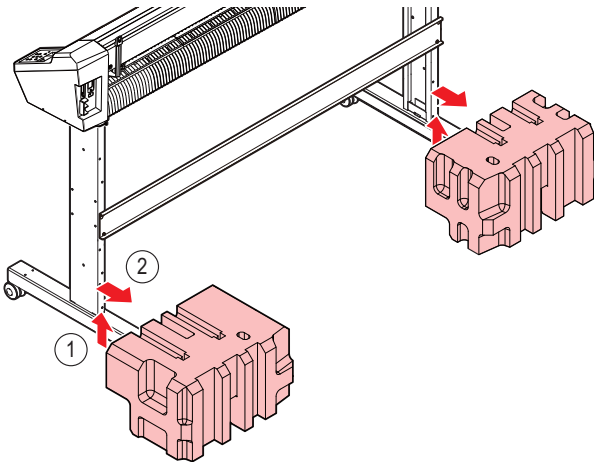
- Push the main unit toward the front side until there is no gap between the protrusion on the rear side of the leg and the insertion hole on the bottom of the main unit and secure it.
- Set the other side in the same way.



- Tighten the fixing screws until the convex part of the leg lightly touches the bottom of the side plate GR. Take care not to over-tighten the screws.

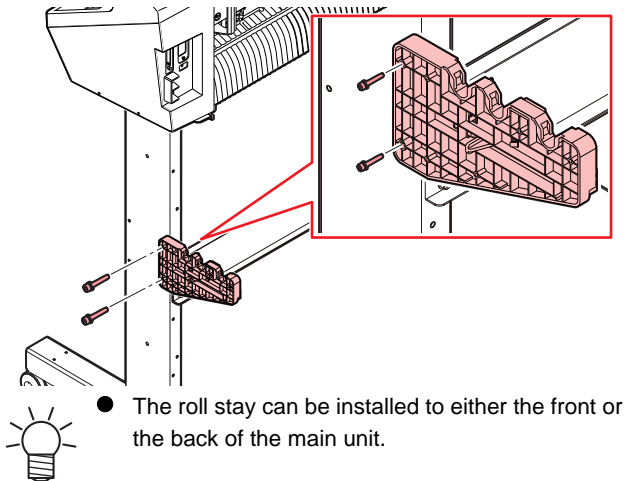


12 Remove cushioning materials.



13 Attach the Roll stay right to the leg.

- Secure it with 2 screws (M5x25).
- For installation on the front side of the main unit: Attach the roll stay right to the left side when viewed from the front of the main unit.
- For installation on the back side of the main unit: Attach the roll stay right to the left side when viewed from the back of the main unit.

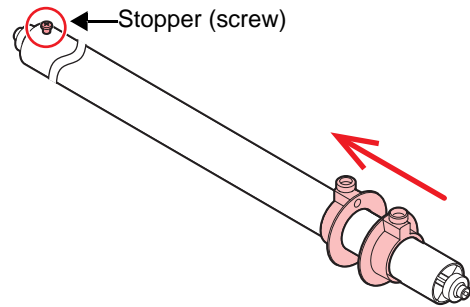


14 Attach the Roll stay left to the opposite leg.

Secure it with 2 screws (M5x25).

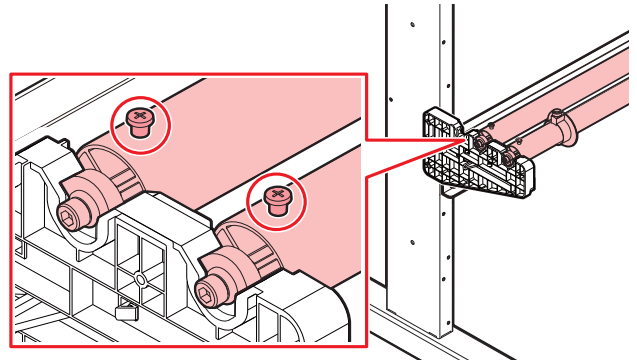
15 Attach the Roll holders on the Roll bar.

- Attach the roll holders to the roll bar from the side with no stopper to make the flange of the roll holders face each other.

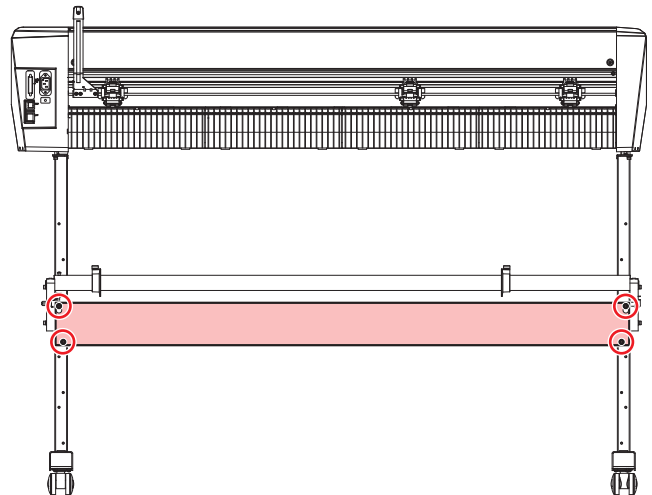


16 Place the roll bar on the roll stay.

- Hold the side with the stopper on the roll bar in your left hand and place it on the roll stay.



17 Fully tighten the screws on the leg stay.



- Turn the roll bar manually to ensure it rotate smoothly. If it gets stuck or has trouble rotating, loosen the screws that have been tightened, adjust the left and right legs so that they are parallel, and then tighten the screws.